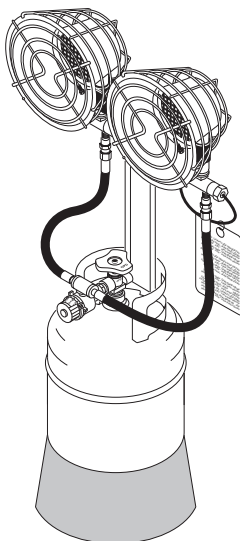


DESA™

INDOOR/OUTDOOR PRODUCTS

Portable Infra-Red Heater for Nonresidential Space Heating Owner's Manual



Two Burner Tank
Top Shown With
Tank Stabilizer

MODEL
TC110
8,000-12,050 BTU
TC111
8,000-24,000 BTU

FOR YOUR SAFETY

If you smell gas:

1. Shut off gas to appliance.
2. Extinguish any open flame.

FOR YOUR SAFETY

Do not store or use gasoline or other flammable vapors and liquids in the vicinity of this or any other appliance.

⚠ WARNING



CARBON MONOXIDE HAZARD

This appliance can produce carbon monoxide which has no odor.

Using it in an enclosed space can kill you.

Never use this appliance in an enclosed space such as a camper, tent, car, or home.

Save this manual for future reference.
For more information, visit www.desatech.com

IMPORTANT: Read and understand this manual before assembling, starting or servicing heater. Improper use of heater can cause serious injury. Keep this manual for future reference.

 GENERAL HAZARD WARNING:

Failure to comply with the precautions and instructions provided with this heater, can result in death, serious bodily injury and property loss or damage from hazards of fire, explosion, burn, asphyxiation, carbon monoxide poisoning, and/or electrical shock.

Only persons who can understand and follow the instructions should use or service this heater.

If you need assistance or heater information such as an instructions manual, labels, etc. contact the manufacturer.

TABLE OF CONTENTS

Specifications	2	Servicing.....	7
Safety Information	3	Technical Service.....	7
Assembly Instructions.....	4	Replacement Parts	7
Operating Instructions	5	Illustrated Parts Breakdown and Parts List.....	8
Maintenance and Storage	6	Warranty and Repair Service	10

SPECIFICATIONS


SINGLE BURNER MODELS

- Rating: 8,000 - 12,050 Btu/hr (2.3 - 3.5 kW)
- Type of Gas: Propane/LP Only
- Ignition: Match Light
- Gas Supply Pressure to regulator:
Max - Tank Pressure, Min - 20 psi (1.37 bar)
- Regulator Outlet Pressure:
10 - 18 psi (0.68 bar - 1.2 bar)
- Minimum Ambient Temp. Rating:
0° F (-17.8° C)
- Fuel Consumption per 20 lb. Cylinder:
36 hours


DOUBLE BURNER MODELS

- Rating: 8,000 - 24,000 Btu/hr (2.3 - 7.0 kW)
- Type of Gas: Propane/LP Only
- Ignition: Piezo or Match Light
- Gas Supply Pressure to regulator:
Max - Tank Pressure, Min - 20 psi (1.37 bar)
- Regulator Outlet Pressure:
10 - 18 psi (0.68 bar - 1.2 bar)
- Minimum Ambient Temp. Rating:
0° F (-17.8° C)
- Fuel Consumption per 20 lb. Cylinder:
18 hours

SAFETY INFORMATION

 **WARNING: This product contains and/or generates chemicals known to the State of California to cause cancer or birth defects, or other reproductive harm.**

 **WARNING: Not for home or recreational vehicle use.**

 **WARNING: Fire, burn, inhalation, and explosion hazard. Keep solid combustibles, such as building materials, paper or cardboard, a safe distance away from the heater as recommended by the instructions. Never use the heater in spaces which do or may contain volatile or airborne combustibles, or products such as gasoline, solvents, paint thinner, dust particles or unknown chemicals.**

ASPHYXIATION HAZARD

- Do not use this heater for heating human living quarters.
 - Do not use in unventilated areas.
 - The flow of combustion and ventilation air must not be obstructed.
 - Proper ventilation air must be provided to support the combustion air requirements of the heater being used.
 - Refer to the specification section of the heater's manual, heater data plate, or contact DESA Industries to determine combustion air ventilation requirements of the heater.
 - Lack of proper ventilation air will lead to improper combustion.
 - Improper combustion can lead to carbon monoxide poisoning leading to serious injury or death. Symptom of carbon monoxide poisoning can include headaches, dizziness and difficulty in breathing.
1. Keep children and animals away from heater.
 2. Never operate heater while sleeping or unattended.
 3. Check the heater thoroughly for damage. Do not operate a damaged heater.

4. Do not modify the heater or operate a heater which has been modified from its original condition.
5. Use only propane/LP gas.
6. Use only vapor withdrawal propane/LP supply. If there is any question about vapor withdrawal, ask your propane/LP dealer.
7. For outdoor use only. Area must be well ventilated. Provide minimum openings of 1 sq ft (0.093 m²) near the floor and 1 sq ft (0.093 m²) near the ceiling. Do not use inside house, camper, tent, vehicle, or any type of unvented or enclosed area.
8. Use heater in areas free from open flames, combustible vapors, and dust.
9. Do not use heater in basement or below ground level.
10. Before connecting heater to the propane/LP tank, make sure the heater regulator knob is in the "OFF" position. Always connect and light heater in areas free of open flames.
11. Mount the propane/LP cylinders vertically (shutoff valve up). Secure them from falling or being knocked over and protect them from damage.
12. *IMPORTANT:* Use only the hose and regulator assembly provided with the dual burner tank top heater. Inspect the hose assembly before each use. If there is excessive abrasion or wear, or hose is cut, replace with hose assembly listed on parts list before using heater. The hose and regulator must be protected from damage.
13. The heater burner must be at least 2 ft. (0.61 m) above the floor. Always attach to propane/LP tank in an upright position. Never operate a heater on its side or attach to propane/LP tank in a horizontal position. This could lead to dangerous flare-ups or fire. Do not direct heat toward propane/LP cylinders.
14. Maintain minimum clearance from normal combustible materials (like paper) as follows: Sides 3 ft. (0.91 m); Top and Front 5 ft. (1.5 m). Locate 10 ft. (3 m) from canvas or plastic tarpaulins or similar coverings and secure them to prevent flapping or movement due to wind action.
15. If at any time gas odor is detected, IMMEDIATELY DISCONTINUE operation until the source of gas has been located and corrected.
16. Install the heater such that it is not directly exposed to water spray, rain, dripping water and/or wind.
17. Operate only on a stable, level surface.

SAFETY INFORMATION

Continued

- Do not attempt to light one burner off of the other. Use one match per burner.
- Do not overlap or point burners at each other.
- Do not raise burner heads and cover air inlet holes in mixing tube with burner head bracket.
- Wing nuts and burner heads become very hot during operation. Do not attempt to adjust burner position while heater is operating. Allow 15 minutes to cool.
- For use with 20 lb. propane cylinders only.
- Due to the high surface and exhaust temperatures, adults and children must observe clearances to avoid burns or clothing ignition.
- Do not move, handle or service while hot or burning. Do not attach or remove a hot or operating heater from the propane/LP tank. Severe burns may result.
- Before each use, check heater for leaks. Never use an open flame to check for leaks. Apply a mixture of liquid soap and water to all joints. Bubbles forming show a leak. Correct all leaks.
- Keep all connections and fittings clean. Make sure propane/LP tank valve is clean. Check "O" ring on heater inlet fuel valve connector for damage before each use. Replace if worn or damaged.
- The LP gas cylinder must be constructed and marked in accordance with the specifications for the LP gas cylinders of the US Department of Transportation (DOT) or Transport Canada.
- Use only in accordance with local codes or, in the absence of local codes, with the *CAN1- B149 Installation Code*.
- Storage of heater is permissible only if the cylinder is disconnected and removed from heater.
- Always remove heater from propane tank after each use. Always store propane tank outdoors in a well ventilated space out of the reach of children. Never store propane tank in a building, garage, or any other enclosed area. Never store propane tank near high heat, open flame, or where temperatures exceed 100° F (38° C).

ASSEMBLY INSTRUCTIONS

2 BURNER MODELS ONLY

- Inspect the heater components for possible shipping damage. If any is found, immediately notify the dealer. Check to make sure that all components are included with your heater (see pages 8 and 9).
- Insert the piezo ignitor into the bracket on the burner support bracket as shown in Figure 1. Tighten the piezo mounting nut. Do not over tighten the nut.
- Connect the burner hoses together as shown in Figure 2. Wrench tighten to insure leak tight connection.
- Mount the burner assembly onto the support arm using the burner head mounting brackets and brass screws as shown in Figure 3. Place side of bracket into the slot on support arm. Secure with screw. Make certain that the air holes on the sides of the burner tube are not blocked. Securely tighten the burners into place.

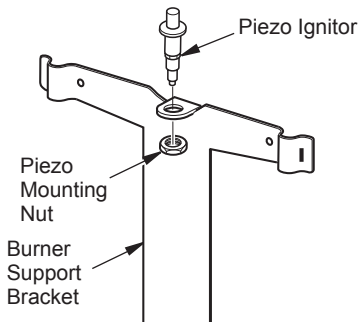


Figure 1 - Installing Piezo Ignitor

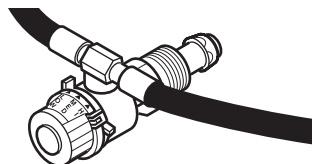


Figure 2 - Attaching Burner Hoses to Regulator

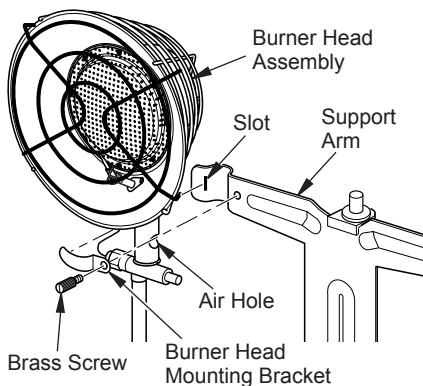


Figure 3 - Attaching Burner Head Assembly to Support Arm

SAFETY INFORMATION

Continued

5. Attach the electrode wires to the piezo ignitor as shown in Figure 4.

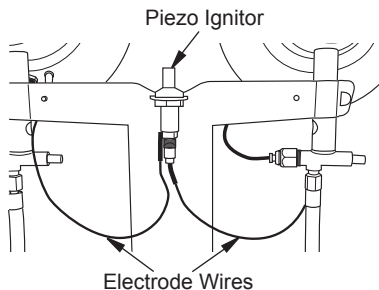


Figure 4 - Attaching Electrode Wires to Piezo Ignitor

OPERATING INSTRUCTIONS

1. Check heater for damage. If heater is damaged, promptly inform dealer where you bought heater.
2. Follow all of the safety and operating precautions.
3. Check the "O" ring on the POL before each use. Replace the "O" ring if there is any sign of wear or damage.
4. Make sure heater regulator knob is in the "OFF" position.
5. **2 Burner Models Only** Attach the heater to the guard on the propane/LP cylinder with the support arm on the inside of the guard and bolts through two holes in the guard (see Figure 5). Tighten the support arm bracket into place using the wing nuts provided.
6. **For All Models** Connect the POL fitting at regulator to the propane/LP cylinder by rotating the POL nut counter clockwise into the propane/LP cylinder's valve outlet and securely tighten with a wrench.

⚠ WARNING: Attach heater in upright position. Never attach heater in a horizontal position. This could lead to dangerous flare-ups or fire.

7. Securely tighten all gas connections.
8. Open the cylinder's gas valve and check all connections for leaks. Apply mixture of liquid soap and water to gas joints. Bubbles forming show a leak that must be corrected. **DO NOT USE A FLAME.**

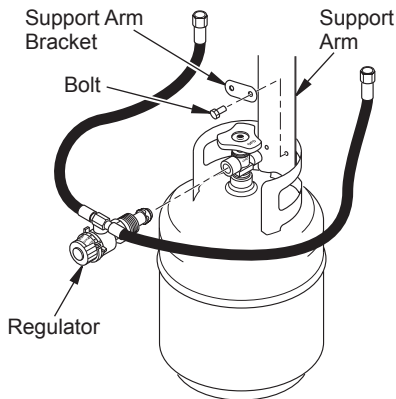


Figure 5 - Attaching Support Arm and Regulator to Propane/LP Tank

TO START HEATER

⚠ WARNING: When lighting the heater DO NOT look over top of heater (reflector). Stand to the side of the heater during ignition. Do not stand or have any part of your body in front of the heater.

⚠ WARNING: MAKE SURE THERE IS NO OPEN FLAME IN THE AREA. Fully open the valve on the propane/LP cylinder.

Read all lighting instructions before attempting to ignite heater.

1. Turn the heater regulator knob counter-clockwise to the "HI" position.
2. Repeatedly push and release the piezo ignitor (dual burner), or place a lighted match near the face of the heating element (mesh screen) of the burner you are lighting, using the hole located on the side of the reflector. See Figure 6.

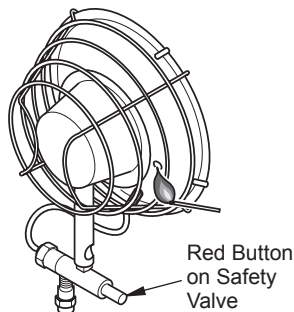


Figure 6 - Lighting Heater With a Match

OPERATING INSTRUCTIONS

Continued

⚠ CAUTION: Do not light at the orifice.

3. Depress the red button on the safety valve admitting gas to the burner (see Figure 6, page 5).

⚠ WARNING: Do not depress red valve button before repeatedly activating the piezo or inserting match.

4. When the gas on the face of the mesh screen lights, continue to hold the valve button depressed for 30 seconds, then release.
5. If flame goes out, wait 5 minutes and repeat the lighting procedure.
6. If heater will not light after repeated tries, do not attempt to repair heater. Return heater to nearest authorized service center or to manufacturer of this product.
7. For dual burner models, repeat steps 1 through 4 to ignite the other burner.
8. After both burners or single burner, are lit, turn the heater regulator knob to the desired heat setting (LOW, MED, HI).

TO STOP HEATER

1. Securely close valve on the propane/LP cylinder.
2. Turn the heater regulator knob to the "OFF" position. Wait 15 minutes for the heater to cool down before handling heater.
3. Always remove the heater from the propane/LP tank after each use. Do not store the heater while attached to propane/LP tank. Remove the heater from the propane/LP tank by turning the fuel connector nut clockwise. Always store propane/LP tank outdoors. Never store propane/LP tank in an enclosed area.

TO RESTART HEATER

1. Securely close valve at propane/LP cylinder.
2. Wait 5 minutes.
3. Restart following *To Start Heater* procedure, page 5.

MAINTENANCE AND STORAGE

1. Inspect heater before each use. Check connections for leaks. Apply mixture of liquid soap and water to connections. Bubbles forming show a leak that must be corrected. Correct all leaks at once. Have heater inspected at least annually by a qualified service person.
2. Before each use, check the soft "O" ring seat at the bullnose of the POL fitting. If the "O" ring is cut, scuffed, or otherwise damaged, replace it with part number LPA2025.
3. Inspect hose/regulator assembly before each use. If hose is highly worn or cut, replace.
4. Turn off the gas at the propane/LP gas supply cylinder when the heater is not in use.
5. When the heater is to be stored, the connection between the propane/LP gas supply cylinder and the heater must be disconnected and the cylinder removed from the heater and stored out of doors and in accordance with Chapter 5 of the standard for *CAN1-B149 Installation Code*.

SERVICING

A hazardous condition may result if a heater is used that has been modified or is not functioning properly. When the heater is working properly:

- The emitter screen is glowing bright orange-red.
- There are no flames above the burner.
- The flame is burning on the surface of the screen and not inside the burner (flash-back).
- There is no strong disagreeable odor, eye burning or other physical discomfort.
- There is no smoke or soot internal or external to the heater.
- There are no unplanned or unexplained shut downs of the heater.

The parts lists and exploded view show the heater as it was constructed. Do not use a heater which is different from that shown. In this regard, use only the hose, regulator and cylinder connection fitting (called a POL fitting) supplied with the heater. **IMPORTANT:** For this heater, the regulator must be set as shown in *Specifications*, page 2. If there is any uncertainty about the regulator setting, have it checked.


TECHNICAL SERVICE

A heater which is not working right must be repaired, but only by a trained, experienced service person. To find the service center closest to you, or if you have further questions about this heater, contact DESA Heating Products' Technical Service Department at 1-866-672-6040. When calling, please have your model and serial numbers of your heater ready.

You can also visit DESA Heating Products' Technical Service web site at www.desatech.com.

You may also obtain in-warranty or out-of-warranty service by taking the product to your local service center.

REPLACEMENT PARTS

 **WARNING: Use only original replacement parts. This heater must use design-specific parts. Do not substitute or use generic parts. Improper replacement parts could cause serious or fatal injuries. This will also protect your warranty coverage for parts replaced under warranty.**

PARTS UNDER WARRANTY

Contact authorized dealers of this product. If they can't supply original replacement part(s), call DESA Industries at 1-416-255-5333.

When calling DESA Industries, have ready

- your name
- your address
- model number of your heater
- how heater was malfunctioning
- purchase date

In most cases, we will ask you to return the part to the factory.

PARTS NOT UNDER WARRANTY

Contact authorized dealers of this product. If they can't supply original replacement part(s), call DESA Industries' Parts Department at 1-416-255-5333.

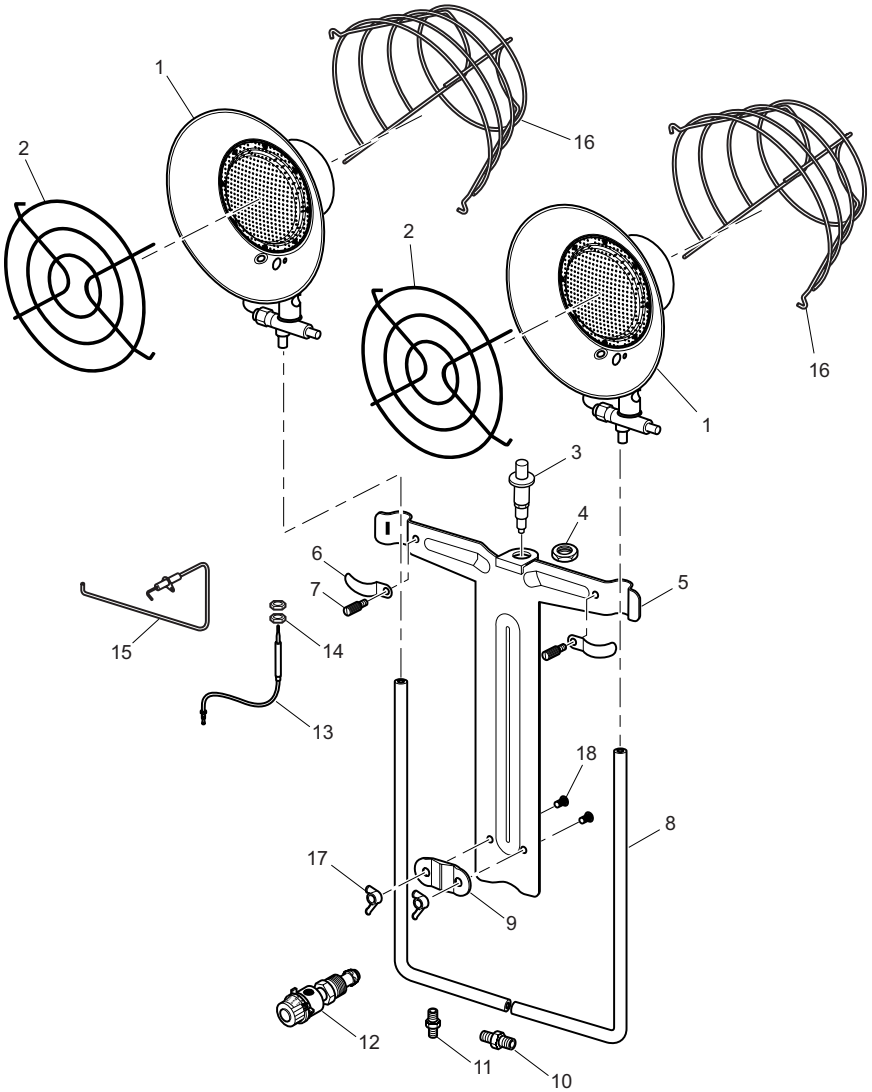
When calling DESA Industries, have ready:

- model number of your heater
- the replacement part number

ILLUSTRATED PARTS BREAKDOWN

MODELS

TC110 AND TC111

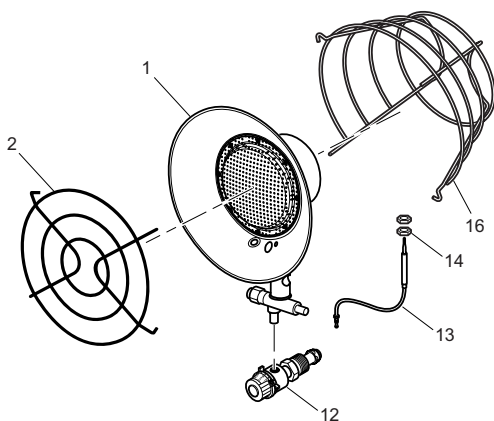


PARTS LIST

This list contains replaceable parts used in your heater. When ordering parts, follow the instructions listed under *Replacement Parts* on page 7 of this manual.

MODELS

TC110 AND TC111



KEY			Single Burner	Dual Burner	QTY.
NO.	PART NO.	DESCRIPTION			
1	114092-01	Burner Head Assembly	•	•	1-2
2	100911-01	Grille	•	•	1-2
3	097159-05	Piezo Ignitor		•	1
4	102334-01	Nut, Piezo		•	1
5	114095-01	Support Arm		•	1
6	114099-01	Burner Head Mounting Bracket	•	•	2
7	114145-01	Brass Screw		•	2
8	114093-01	Hose Assembly		•	2
9	114096-01	Support Arm Bracket		•	1
10	114098-01	Fitting		•	1
11	114097-01	Fitting		•	1
12	LPA2025	POL Excess Flow/Regulator	•	•	1-2
13	114100-01	Thermocouple	•	•	1-2
14	100898-01	Thermocouple Nut	•	•	2-4
15	114094-01	Electrode Assembly (Round)		•	1
	114094-02	Electrode Assembly (Flat)		•	1
16	116995-01	Rear Guard	•	•	1-2
17	115063-01	Wing Nut	•	•	2
18	115062-01	Shoulder Bolt 5/16-18 x 1.25	•	•	2
PARTS AVAILABLE - NOT SHOWN					
	101834-03	Instruction Hang Tag	•	•	1
	101834-04	Instruction Hang Tag	•	•	1
	099720-01	Tank Stabilizer	•	•	1
	LPA5050	Replacement Screen Assembly	•	•	1-2

WARRANTY INFORMATION

KEEP THIS WARRANTY

Model _____

Serial No. _____

Date of Purchase _____

Propane Infra-Red Tank Top Heater Limited Warranty

DESA Industries warrants this product and any parts thereof, to be free from defects in materials and workmanship for one (1) year from the date of first purchase when operated and maintained in accordance with instructions. This warranty is extended only to the original retail purchaser, when proof of purchase is provided.

This warranty covers only the cost of parts and labor required to restore the product to proper operating condition. Transportation and incidental costs associated with warranty repairs are not reimbursable under this warranty.

Warranty service is available only through authorized dealers and service centers.

This warranty does not cover defects resulting from misuse, abuse, negligence, accidents, lack of proper maintenance, normal wear, alteration, modification, tampering, contaminated fuels, repair using improper parts, or repair by anyone other than an authorized dealer or service center. Routine maintenance is the responsibility of the owner.

This Express Warranty Is Given In Lieu Of Any Other Warranty Either Expressed Or Implied, Including Warranties Of Merchantability And Fitness For A Particular Purpose.

DESA Industries assumes no responsibility for indirect, incidental or consequential damages. Some provinces do not allow the exclusion or limitation of incidental or consequential damages. These limitations or exclusions may not apply to you. This Limited Warranty gives you specific legal rights and you may also have other rights which vary from province to province.



INDUSTRIES OF CANADA, INC.

82 Akron Road

Toronto, Ontario

M8W 1T2

415-255-5333

www.desatech.com

118127-01

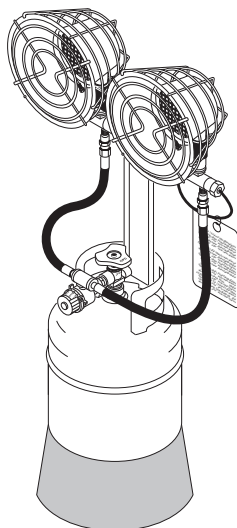
Rev. B

05/06

DESA™

INDOOR/OUTDOOR PRODUCTS

Manual del propietario del calentador portátil de infrarrojos para calefacción ambiental no residencial



Se muestra el calentador
para tanque con doble
quemador y estabilizador
de tanque

MODELO

TC110

8,000-12,050 BTU

TC111

8,000-24,000 BTU

POR SU SEGURIDAD

Si percibe olor a gas:

1. Cierre el suministro de gas al aparato.
2. Apague cualquier llama al descubierto.

POR SU SEGURIDAD

No guarde ni utilice gasolina u otros vapores y líquidos inflamables cerca de este aparato ni de cualquier otro.

▲ ADVERTENCIA



PELIGRO DE MONÓXIDO DE CARBONO

Este aparato puede producir monóxido de carbono, el cual no tiene olor.

Utilizarlo en un espacio cerrado le puede ocasionar la muerte.

Nunca utilice este aparato en espacios cerrados tales como casas móviles, tiendas de campaña, autos o residencias.

Guarde este manual para referencias futuras.

Para obtener más información visite www.desatech.com

IMPORTANTE: lea y comprenda este manual antes de ensamblar, encender o dar servicio al calentador. El uso inadecuado del calentador puede causar lesiones graves. Conserve este manual para referencias futuras.

⚠ ADVERTENCIA GENERAL DE PELIGRO:

El incumplimiento de las precauciones e instrucciones proporcionadas con este calentador puede causar la muerte, lesiones físicas graves y pérdidas o daños a la propiedad ocasionados por incendios, explosiones, quemaduras, asfixia, intoxicación con monóxido de carbono y/o electrocución.

Únicamente las personas que puedan entender y seguir las instrucciones deberán usar o dar servicio a este calentador.

Si necesita ayuda o información sobre el calentador, por ejemplo, un manual de instrucciones, etiquetas, etc., comuníquese con el fabricante.

TABLA DE CONTENIDO

Especificaciones	2	Servicio	7
Información de seguridad	3	Servicio técnico	7
Instrucciones de ensamble	4	Piezas de repuesto	7
Instrucciones de funcionamiento	5	Clasificación ilustrada de piezas y lista de piezas.....	8
Mantenimiento y almacenamiento	6	Información de garantía.....	10

ESPECIFICACIONES

MODELOS CON UN SOLO QUEMADOR

- Clasificación: 8,000 - 12,050 Btu/h (2.3 - 3.5 kW)
- Tipo de gas: propano o gas LP solamente
- Encendido: mediante fósforo
- Presión del suministro de gas al regulador: máxima presión en el tanque, mínima 20 PSI (1.37 bar)
- Presión de salida del regulador: 10 - 18 PSI (0.68 bar - 1.2 bar)
- Clasificación de temperatura ambiente mínima: -17.8 °C (0 °F)
- Consumo de combustible por cilindro de 9 Kg (20 lb): 36 horas

MODELOS CON DOBLE QUEMADOR

- Clasificación: 8,000 - 24,000 Btu/h (2.3 - 7.0 kW)
- Tipo de gas: propano o gas LP solamente
- Encendido: piezoeléctrico o mediante fósforo
- Presión del suministro de gas al regulador: máxima presión en el tanque, mínima 20 PSI (1.37 bar)
- Presión de salida del regulador: 10 - 18 PSI (0.68 bar - 1.2 bar)
- Clasificación de temperatura ambiente mínima: -17.8 °C (0 °F)
- Consumo de combustible por cilindro de 9 Kg (20 lb): 18 horas

INFORMACIÓN DE SEGURIDAD

⚠️ ADVERTENCIA: este producto contiene y/o genera químicos que el estado de California reconoce que causan cáncer, defectos de nacimiento u otros daños relacionados con la reproducción.

⚠️ ADVERTENCIA: no usar en residencias ni en vehículos recreativos.

⚠️ ADVERTENCIA: peligro de incendio, quemaduras, inhalación y explosión. Mantenga los combustibles sólidos, como materiales de construcción, papel o cartón a una distancia segura del calentador según se recomienda en las instrucciones. Nunca use el calentador en áreas en las que hayan, o puedan haber, combustibles volátiles o que se acumulen en el aire, o bien, productos como gasolina, solventes, diluyente de pintura, partículas de polvo o químicos desconocidos.

PELIGRO DE ASFIXIA

- No utilice este calentador en viviendas ocupadas por personas.
 - No se utilice en lugares sin ventilación.
 - No se debe bloquear el flujo de aire para combustión y ventilación.
 - Se debe proveer suficiente aire de ventilación para satisfacer la demanda de aire de combustión del calentador que se está utilizando.
 - Consulte la sección de especificaciones del manual del calentador, la placa de información del calentador, o llame a DESA Industrias para saber cuanto aire de ventilación se requiere para el calentador.
 - La falta de ventilación adecuada ocasiona que la combustión no sea correcta.
 - La combustión incorrecta puede resultar en envenenamiento con monóxido de carbono y ocasionar lesiones serias o incluso la muerte. Los síntomas del envenenamiento con monóxido de carbono son, entre otros, dolor de cabeza, mareo y dificultad para respirar.
1. Evite que los niños y los animales se acerquen al calentador.
 2. Nunca haga funcionar el calentador mientras esté dormido o cuando lo vaya a dejar desatendido.

3. Inspeccione minuciosamente el calentador en busca de daños. No haga funcionar un calentador que este dañado.
4. No altere el calentador ni haga funcionar un calentador cuya condición original haya sido modificada.
5. Utilice propano o gas LP solamente
6. Utilice únicamente suministro de propano o gas LP con extracción de vapores. En caso de tener alguna pregunta sobre la extracción de vapores, consulte a su distribuidor de propano o gas LP.
7. Para uso en exteriores solamente. El área debe estar bien ventilada. Proporcione aberturas mínimas de 0.093 m² (1 pie²) cerca del piso y del techo. No lo utilice adentro de casas, casas móviles, tiendas de campaña, vehículos o cualquier otro sitio cerrado o sin ventilación.
8. Utilice el calentador en áreas libres de llamas al descubierto, vapores combustibles y polvo.
9. No use el calentador en un sótano ni debajo del nivel del suelo.
10. Antes de conectar el calentador al tanque de propano o gas LP, compruebe que la perilla del regulador del calentador está en la posición "OFF" (apagado). Siempre conecte y encienda el calentador en áreas libres de llamas al descubierto.
11. Instale los cilindros de propano o gas LP en posición vertical (la válvula de cierre hacia arriba). Sujételos para que no se caigan ni los tiren accidentalmente y protéjalos de daños.
12. **IMPORTANTE:** utilice únicamente el conjunto de manguera y regulador incluido con el calentador de instalación sobre tanque con doble quemador. Inspeccione el conjunto de manguera antes de cada uso. En caso que el conjunto de manguera muestre abrasión o desgaste excesivos, o si está roto, reemplácelo antes de utilizar el calentador utilizando el conjunto de manguera indicado en la lista de piezas. Debe proteger la manguera y el regulador contra daños.
13. El quemador del calentador debe estar por lo menos a 0.96 m (2 pies) sobre el piso. Siempre fíjelo al tanque de propano o gas LP en posición vertical. Nunca haga funcionar un calentador cuando esté inclinado, ni lo fije al tanque de propano o gas LP en posición horizontal. Ello podría producir llamaradas peligrosas o incendio. No dirija el calor hacia los cilindros de propano o gas LP.
14. Conserve las distancias mínimas hacia materiales combustibles normales (como papel), de la siguiente forma: laterales 0.91 m (3 pies); partes superior e inferior 1.5 m (5 pies). Colóquelo a 3 m (10 pies) lonas de tela o plástico y sujete estas últimas para que no se muevan o vuelen por el viento.

INFORMACIÓN DE SEGURIDAD *Continuación*

15. En caso que en algún momento perciba olor a gas, **INTERRUMPA INMEDIATAMENTE** el funcionamiento hasta que haya encontrado y arreglado el origen de la fuga.
16. Instale el calentador de tal forma que no quede expuesto directamente a rocío de agua, lluvia, goteo de agua y/o viento.
17. Hágalo funcionar únicamente en una superficie estable y plana.
18. No intente encender un quemador con la llama del otro. Utilice un fósforo por quemador.
19. No trasape los quemadores ni los dirija uno contra el otro.
20. No levante los quemadores ni tape los orificios de entrada de aire del tubo mezclador con el soporte de la cabeza del quemador.
21. Durante el funcionamiento las tuercas mariposa y las cabezas de los quemadores se calientan demasiado. No intente ajustar la posición del quemador cuando el calentador este funcionando. Espere 15 minutos para que se enfríe.
22. Para uso exclusivo con cilindros de propano de 9 Kg (20 lb).
23. Debido a la alta temperatura de la superficie y de los gases de combustión, los niños y los adultos deben mantenerse a distancia para evitar quemaduras y que su ropa se incendie.
24. No mueva, maniobre ni repare el calentador cuando este caliente o en combustión. No conecte ni desconecte del tanque de propano cuando el calentador esté caliente o funcionando. Podría sufrir quemaduras graves.
25. Antes de cada uso, verifique si el calentador tiene alguna fuga. Nunca use una llama al descubierto para buscar fugas. Aplique una mezcla de jabón líquido y agua en todas las uniones. La formación de burbujas indicará una fuga. Arregle todas las fugas.
26. Mantenga limpias todas las conexiones y uniones. Compruebe que la válvula del tanque de propano o gas LP está limpia. Antes de cada uso, revise el empaque del conector de la válvula de combustible de entrada del calentador en busca de daños. Cambie el empaque en caso que este dañado.
27. El cilindro de gas LP deberá estar construido y marcado conforme a las especificaciones para cilindros de gas LP del Departamento de Transporte de los Estados Unidos (DOT, por sus siglas en ingles) o de Transporte canadiense.
28. Utilícelo únicamente conforme a los códigos locales y en ausencia ellos, conforme al *Código de instalación CAN1- B149*.
29. El almacenamiento del calentador solo está permitido si el cilindro se desconecta y se separa del calentador.

30. Después de cada uso siempre retire el calentador del tanque de propano. Siempre guarde el tanque de propano en el exterior, en sitios bien ventilados, fuera del alcance de los niños. Nunca guarde un tanque de propano en el interior de edificios, cocheras y sitios encerrados. Nunca guarde un tanque de propano cerca de fuentes de calor intenso, de lamas al descubierto o en sitios en donde la temperatura sea superior a 38° C (100° F).

INSTRUCCIONES DE ENSAMBLE

SOLAMENTE MODELOS CON 2 QUEMADORES

1. Inspeccione las partes del calentador en busca de daños que pudieron haber ocurrido durante el envío. En caso que encuentre algún daño, notifique de inmediato al proveedor. Compruebe que el paquete incluya todas las partes del calentador (consulte las paginas 8 y 9).
2. Introduzca el encendedor piezoeléctrico en la ménsula de soporte de los quemadores como se muestra en la figura 1. Apriete la tuerca de montaje del encendedor piezoeléctrico. No apriete la tuerca en exceso.
3. Conecte las mangueras de los quemadores como se muestra en la figura 2. Apriete la unión con una llave para evitar fugas.
4. Instale el conjunto de quemadores en el brazo de soporte, utilizando los soportes de montaje de las cabezas de los quemadores y los tornillos de bronce como se muestra en la figura 3, pagina 5. Introduzca el costado del soporte en la ranura del brazo de sopor-

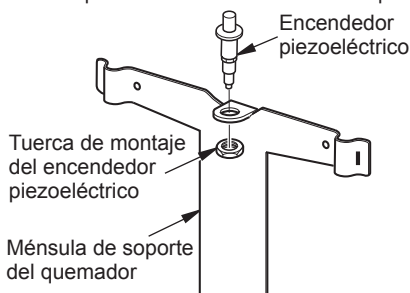


Figura 1 - Instalación del encendedor piezoeléctrico

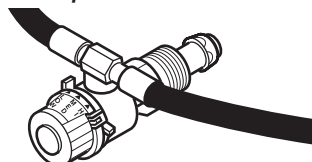


Figura 2 - Cómo conectar las mangueras de los quemadores al regulador

INSTRUCCIONES DE ENSAMBLE *Continuación*

te. Apriételo con el tornillo. Compruebe que los orificios de aire de los costados de los quemadores no estén obstruidos. Apriete firmemente los quemadores en su sitio.

5. Conecte los cables de los electrodos al encendedor piezoeléctrico como se muestra en la figura 4.

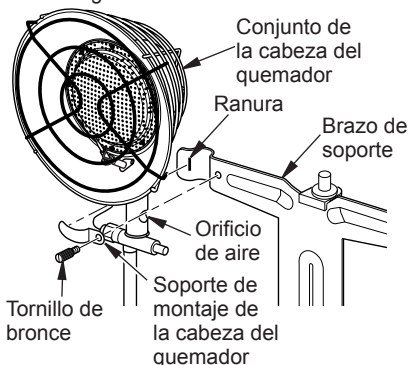


Figura 3 - Cómo conectar el conjunto de cabeza del quemador al brazo de soporte

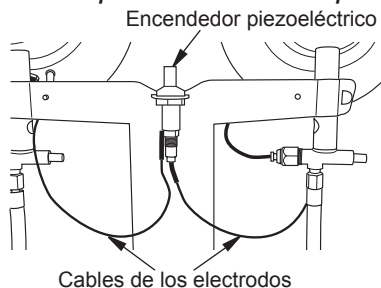


Figura 4 - Cómo conectar los cables de los electrodos al encendedor piezoeléctrico

INSTRUCCIONES DE FUNCIONAMIENTO

1. Revise el calentador para ver si sufrió algún daño. Si el calentador está dañado, informe de inmediato al distribuidor a quien se lo compró.
2. Observe todas las precauciones de seguridad y operación.
3. Antes de cada uso, revise el empaque de la conexión de rosca invertida. Reemplace el empaque si este muestra señales de daños o desgaste.
4. Compruebe que la perilla del regulador esté en la posición OFF (apagado).
5. **Solamente modelos con 2 quemadores** Conecte el calentador al protector del cilindro de propano o gas LP, con el brazo de soporte en el interior del protector y con los pernos

a través de los dos orificios localizados en el protector (consulte la figura 5). Apriete la ménsula del brazo de soporte en su lugar utilizando las tuercas mariposa incluidas.

6. **Todos los modelos** Una el conector de rosca invertida, que se encuentra en el regulador, al cilindro de propano o gas LP, girando la tuerca de rosca invertida en dirección contraria a las manecillas del reloj, en la conexión de la válvula del cilindro de propano o gas LP, y apriételo firmemente con una llave.

⚠ ADVERTENCIA: conecte el calentador en posición vertical. Nunca conecte el calentador en posición horizontal. Ello podría producir llamaradas peligrosas o incendio.

7. Apriete con firmeza todas las conexiones de gas.
8. Abra la válvula de gas del cilindro y revise todas las conexiones en busca de fugas. Aplique una mezcla de jabón líquido y agua a todas las uniones de la línea de gas. La formación de burbujas indica una fuga que se debe corregir. **NO UTILICE UNA LLAMA.**

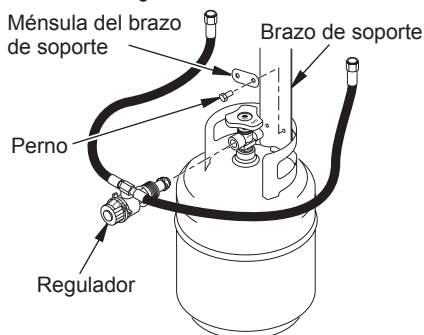


Figura 5 - Cómo conectar el brazo de soporte y el regulador al tanque de propano o gas LP

PARA ENCENDER EL CALENTADOR

⚠ ADVERTENCIA: al encender el calentador NO mire por arriba del calentador (reflector). Manténgase a un lado durante el encendido. No se pare frente ni ponga partes de su cuerpo frente al calentador.

⚠ ADVERTENCIA: ASEGÚRESE QUE EN EL LUGAR NO HAYA LLAMAS AL DESCUBIERTO. Abra completamente la válvula del cilindro de propano o gas LP.

INSTRUCCIONES DE FUNCIONAMIENTO

Continuación

Antes de intentar encender el calentador lea las instrucciones de encendido en su totalidad.

1. Gire la perilla del regulador del calentador en dirección contraria a las manecillas del reloj hasta la posición "HI" (alto).
2. Presione y libere el encendedor piezoeléctrico varias veces (quemador doble), o ponga un fósforo encendido cerca del elemento de calefacción (malla) del quemador que está encendido, utilizando el orificio ubicado a un costado del reflector. Consulte la figura 6.

⚠ PRECAUCIÓN: no introduzca el fósforo a través del orificio.

3. Presione el botón rojo ubicado en la válvula de seguridad por donde pasa el gas al quemador (consulte la figura 6).

⚠ ADVERTENCIA: no presione el botón rojo de la válvula antes de activar el encendedor piezoeléctrico varias veces o de introducir el fósforo.

4. Una vez que se encienda el gas en la parte frontal de la malla, continúe presionando el botón de la válvula durante 30 segundos, y luego suéltelo.
5. Si la llama se apaga, espere 5 minutos y repita el procedimiento de encendido.
6. En caso que después de intentar encender el calentador varias veces este no encienda, no trate de repararlo. Regrese el calentador al centro de servicio autorizado mas cercano o al fabricante del producto.
7. Para los modelos con dos quemadores, encienda el otro quemador repitiendo los pasos 1 al 4.
8. Una vez que ambos o el quemador único, se hayan encendido, gire la perilla del regulador del calentador a la posición de calor deseado, LOW (bajo), MED (medio) o HI (alto).

CÓMO APAGAR EL CALENTADOR

1. Cierre firmemente la válvula del cilindro de propano o gas LP.
2. Gire la perilla del regulador del calentador a la posición OFF (apagado). Antes de maniobrar el calentador espere 15 minutos para que se enfríe.
3. Después de cada uso siempre retire el calentador del tanque de propano o gas LP. No

guarde el calentador con el tanque de propano o gas LP conectado a este. Retire el calentador del tanque de propano o gas LP, girando la tuerca del conector del combustible en dirección de las manecillas del reloj. Siempre guarde los tanques de propano o gas LP en el exterior. Nunca guarde un tanque de propano o gas LP en lugares cerrados.

CÓMO VOLVER A ENCENDER EL CALENTADOR

1. Cierre firmemente la válvula del cilindro de propano o gas LP.
2. Espere 5 minutos.
3. Vuelva encender el calentador siguiendo las instrucciones sobre *Para encender el calentador*, en la página 5.

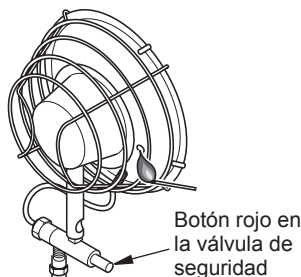


Figura 6 - Cómo encender el calentador utilizando un fósforo

MANTENIMIENTO Y ALMACENAMIENTO

1. Inspeccione al calentador antes de cada uso. Revise las conexiones en busca de fugas. Aplique una mezcla de jabón líquido y agua en todas las conexiones. La formación de burbujas indica una fuga que se debe corregir. Repare todas las fugas inmediatamente. Por lo menos una vez al año haga que un técnico de servicio calificado inspeccione el calentador.
2. Antes de cada uso, verifique el asiento del empaque (o-ring) en la esquina redondeada de la conexión de rosca invertida. Si el empaque (o-ring) está cortado, golpeado o dañado de alguna manera, reemplace la conexión de rosca invertida con el repuesto número LPA2025.
3. Inspeccione el conjunto de manguera y regulador antes de cada uso. Si la manguera está muy desgastada o con roturas, reemplácela.
4. Cierre el gas desde el cilindro de propano o gas LP cuando el calentador no esté en uso.
5. Cuando vaya a guardar el calentador, debe desconectar el cilindro propano o gas LP del calentador, y después de retirar el cilindro guardarlo en el exterior, como se indica en el capítulo 5 de la norma para el *Código de instalación CAN1-B149*.

SERVICIO

Cuando se utiliza un calentador que haya sufrido modificaciones o que no funciona correctamente puede producirse una situación de peligro. Cuando el calentador funciona correctamente:

- la malla que emite calor tiene un color rojo-anaranjado resplandeciente.
- no hay llamas arriba del quemador.
- la llama arde en la superficie de la malla y no en el interior del quemador (retorno de la llama).
- no hay olor fuerte desagradable, no arden los ojos ni hay molestias físicas.
- no hay humo ni hollín, ni adentro ni afuera del calentador.
- el calentador no se apaga de manera inesperada o inexplicable.

Las listas de piezas y la vista esquemática muestran el calentador tal como se construyó. No utilice un calentador que se vea distinto al que se muestra. En este sentido, utilice únicamente la conexión para la manguera, el regulador y el cilindro (conocida como conexión de rosca invertida), incluida con el calentador. **IMPORTANTE:** para este calentador, el regulador se debe ajustar como se muestra en las *Especificaciones*, en la página 2. En caso de tener alguna duda sobre el ajuste del regulador, haga que lo revisen.


SERVICIO TÉCNICO

Un calentador que no funcione correctamente debe ser reparado, pero únicamente por una persona capacitada y experimentada. Para encontrar el centro de servicio mas cercano o si tiene alguna pregunta sobre este calentador, comuníquese al departamento de servicio técnico de DESA Heating Products, al 1-866-672-6040. Al llamar, tenga la mano los números de modelo y serie de su calentador.

También puede visitar el sitio web de servicio técnico de DESA Heating Products en www.desatech.com.

Ademas, puede obtener servicio dentro de la garantía, o fuera de ella, llevando el producto al centro de servicio de su localidad.

PIEZAS DE REPUESTO

 **ADVERTENCIA:** use sólo piezas de repuesto originales. Este calentador debe usar piezas diseñadas específicamente. No las sustituya ni use piezas genéricas. El uso de piezas de repuesto inadecuadas puede ocasionar lesiones graves o fatales. Esto también protegerá la cobertura de su garantía para piezas reemplazadas con garantía.

PIEZAS CON GARANTÍA

Comuníquese con los distribuidores autorizados de este producto. Si no pueden proporcionarle las piezas originales de repuesto, llame DESA Industries, al 1-415-255-5333.

Cuando llame a DESA Industries, tenga listo:

- su nombre,
- su dirección,
- el número del modelo de su calentador,
- la falla del calentador,
- la fecha de compra.

En la mayoría de los casos, le pediremos que devuelva la pieza a la fábrica.

PIEZAS SIN GARANTÍA

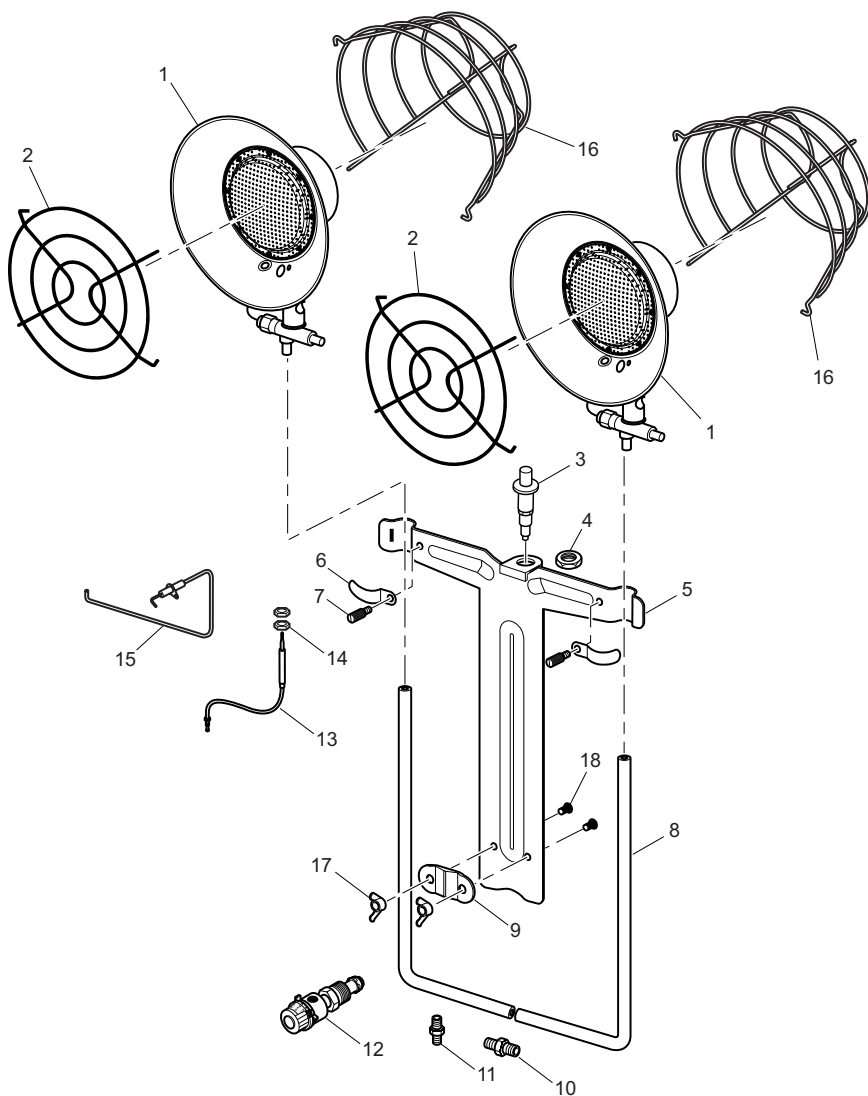
Comuníquese con los distribuidores autorizados de este producto. Si no pueden proporcionarle las piezas originales de repuesto, llame al departamento de piezas de DESA Industries, al 1-415-255-5333.

Cuando llame a DESA Industries, tenga listo:

- el número del modelo de su calentador,
- número de la pieza de repuesto.

CLASIFICACIÓN ILUSTRADA DE PIEZAS

MODELOS
TC110 Y TC111

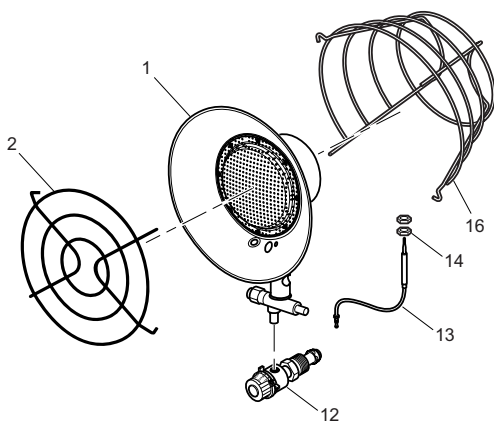


LISTA DE PIEZAS

Esta lista contiene las piezas reemplazables utilizadas en el calentador. Al hacer un pedido de piezas, siga las instrucciones enumeradas en *Piezas de repuesto* en la página 7 de este manual.

MODELOS

TC110 Y TC111



Nº	Nº DE PARTE	DESCRIPCIÓN	CON UN SOLO QUEMADOR	CON DOBLE QUEMADOR	CANT.
1	114092-01	Conjunto de cabeza del quemador	•	•	1-2
2	100911-01	Rejilla	•	•	1-2
3	097159-05	Encendedor piezoeléctrico	•	•	1
4	102334-01	Tuerca, encendedor piezoeléctrico	•	•	1
5	114095-01	Brazo de soporte	•	•	1
6	114099-01	Soporte de montaje de la cabeza del quemador	•	•	2
7	114145-01	Tornillo de bronce	•	•	2
8	114093-01	Conjunto de manquera	•	•	2
9	114096-01	Ménsula del brazo de soporte	•	•	1
10	114098-01	Conector	•	•	1
11	114097-01	Conexión	•	•	1
12	LPA2025	Regulador/conexión de rosca invertida de exceso de flujo	•	•	1-2
13	114100-01	Termopar	•	•	1-2
14	100898-01	Tuerca del termopar	•	•	2-4
15	114094-01	Conjunto de electrodo (redondo)	•	•	1
	114094-02	Conjunto de electrodo (plano)	•	•	1
16	116995-01	Protector posterior	•	•	1-2
17	115063-01	Tuerca mariposa	•	•	2
18	115062-01	Perno con pivote 5/16-18 x 1.25	•	•	2
PIEZAS DISPONIBLES (NO SE MUESTRAN)					
	101834-03	Etiqueta colgante con instrucciones	•	•	1
	101834-04	Etiqueta colgante con instrucciones	•	•	1
	099720-01	Estabilizador de tanque	•	•	1
	LPA5050	Conjunto de rejilla de reemplazo	•	•	1-2

INFORMACIÓN DE GARANTÍA

GUARDE ESTA GARANTÍA

Modelo _____

N° de serie _____

Fecha de compra _____

Garantía limitada del calentador de infrarrojos de instalación sobre tanque de propano

DESA Industries garantiza que este producto y todas sus piezas estarán libres de defectos en los materiales y la mano de obra durante un (1) año a partir de la fecha de la primera compra, siempre y cuando se hayan operado y mantenido de acuerdo con las instrucciones. Esta garantía se extiende solamente al comprador minorista original, cuando se proporciona un comprobante de compra.

Esta garantía sólo cubre el costo de las piezas y la mano de obra requeridas para restaurar el producto a una condición de operación correcta. Los costos de transporte e incidentales asociados con reparaciones bajo garantía no son reembolsables mediante la misma.

El servicio de garantía está disponible sólo a través de distribuidores y centros de servicio autorizados.

Esta garantía no cubre defectos ocasionados por mal uso, abuso, negligencia, accidentes, falta de mantenimiento adecuado, desgaste normal, alteración, modificación, manipulación, combustibles contaminados, reparación usando piezas inadecuadas o reparación realizada por cualquiera que no sea un distribuidor o centro de servicio autorizado. El mantenimiento de rutina es responsabilidad del propietario.

ESTA GARANTÍA EXPRESA SE OTORGA EN LUGAR DE CUALQUIER OTRA GARANTÍA, YA SEA EXPRESA O IMPLÍCITA, INCLUYENDO GARANTÍAS DE MERCANTIBILIDAD E IDONEIDAD PARA UN PROPÓSITO PARTICULAR.

DESA Industries no asume ninguna responsabilidad por daños indirectos, incidentales o consecuentes. En algunas provincias no se permite la exclusión o limitación de daños incidentales o consecuenciales. Estas limitaciones o exclusiones pueden no aplicar en su caso. Esta garantía limitada le otorga derechos legales específicos y podría también tener otros derechos que varían de una provincia otra.



INDUSTRIES OF CANADA, INC.

82 Akron Road

Toronto, Ontario

M8W 1T2

415-255-5333

www.desatech.com

118127-01

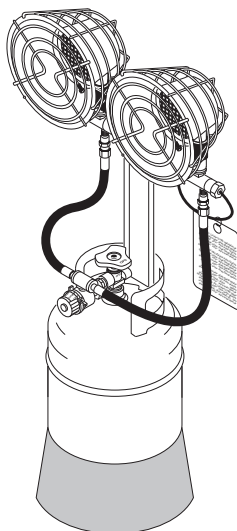
Rev. B

05/06

DESA™

INDOOR/OUTDOOR PRODUCTS

Manuel d'utilisation de l'appareil de chauffage infrarouge portable pour espaces non résidentiels



Appareil à deux brûleurs montable sur réservoir illustré avec stabilisateur de réservoir

MODÈLES

TC110

8 000 - 12 050 BTU

TC111

8 000 - 24 000 BTU

POUR VOTRE PROTECTION

Si une odeur de gaz se dégage :

1. Coupez l'approvisionnement en gaz à l'appareil.
2. Éteignez toute flamme.

POUR VOTRE PROTECTION

N'entreposez pas et n'utilisez pas d'essence ou d'autres vapeurs et liquides inflammables à proximité de cet appareil ou de tout autre appareil.

▲ AVERTISSEMENT



RISQUE DE DÉGAGEMENT DE MONOXYDE DE CARBONE

Cet appareil peut dégager du monoxyde de carbone, qui est un élément inodore.

Son utilisation dans un espace clos présente des risques de mort.

N'utilisez jamais cet appareil dans un espace clos tel qu'une caravane, une tente, une voiture ou une maison.

Conservez ce manuel pour référence future.
Pour plus de détails, visitez le site www.desatech.com

IMPORTANT : Lisez et comprenez ce manuel avant d'assembler, d'allumer ou de réparer l'appareil de chauffage. Une mauvaise utilisation de l'appareil de chauffage peut causer des blessures graves. Conservez ce manuel pour référence future.

 AVERTISSEMENT DE RISQUE GÉNÉRAL :

Tout manquement aux précautions et aux instructions fournies avec cet appareil de chauffage, peut causer la mort, de graves blessures ainsi que la perte de biens et des dommages causés par les risques associés au feu, à une explosion, aux brûlures, à l'asphyxie, à l'empoisonnement au monoxyde de carbone et aux décharges électriques.

Seuls les individus qui comprennent et qui respectent ces instructions peuvent utiliser ou réparer cet appareil de chauffage.

Si vous avez besoin d'aide ou de renseignements concernant l'appareil de chauffage tels que le manuel d'instructions, les étiquettes, etc., contactez le fabricant.

TABLE DES MATIÈRES

Caractéristiques.....	2	Réparations	8
Information relative à la sécurité.....	3	Service technique.....	8
Instructions d'assemblage.....	5	Pièces de rechange.....	9
Mode d'emploi	6	Vue détaillée et liste des pièces	10
Entretien et entreposage	8	Informations sur la garantie	Dos

CARACTÉRISTIQUES

MODÈLES À UN BRÛLEUR

- Rendement : 2,3-3,5 kW (8 000-12 050 BTU/h)
- Type de gaz : propane/GPL seulement
- Allumage : par allumette
- Pression de gaz à l'entrée du détendeur :
Max. Pression du réservoir, min. 1,37 bars (20 lb/po²)
- Pression de gaz à la sortie du détendeur :
0,68-1,2 bars (10 - 18 lb/po²)
- Température ambiante minimale :
-17,8 °C (0 °F)
- Consommation de carburant par réservoir de 9 kg (20 lb) : 36 heures

MODÈLES À DEUX BRÛLEURS

- Rendement : 2,3-7 kW (8 000-24 000 BTU/h)
- Type de gaz : propane/GPL seulement
- Allumage : piézo-électrique ou par allumette
- Pression de gaz à l'entrée du détendeur :
Max. Pression du réservoir, min. 1,37 bars (20 lb/po²)
- Pression de gaz à la sortie du détendeur :
0,68-1,2 bars (10 - 18 lb/po²)
- Température ambiante minimale :
-17,8 °C (0 °F)
- Consommation de carburant par réservoir de 9 kg (20 lb) : 18 heures

INFORMATION RELATIVE À LA SÉCURITÉ

⚠ AVERTISSEMENT : Cet appareil contient ou produit des produits chimiques déterminés par l'État de Californie comme cancérigènes et pouvant causer des malformations congénitales et d'autres troubles liés à la reproduction.

⚠ AVERTISSEMENT : Cet appareil n'est pas conçu pour un usage domestique ou dans les véhicules de camping.

⚠ AVERTISSEMENT : Danger d'incendie, de brûlure, d'inhalation et d'explosion. Gardez les produits combustibles solides comme les matériaux de construction, le papier et les cartons à une distance sûre de l'appareil de chauffage tel que recommandé dans la présente. N'utilisez jamais l'appareil de chauffage dans des espaces susceptibles de contenir des combustibles volatils ou atmosphériques ou des produits tels que de l'essence, des diluants, du solvant à peinture, des particules de poussières ou des produits chimiques inconnus.

DANGER D'ASPHYXIE

- N'utilisez pas cet appareil de chauffage pour chauffer une habitation.
- N'utilisez pas cet appareil dans des endroits sans ventilation.
- Les flux d'air comburant et de ventilation doivent passer librement.
- Suffisamment d'air de ventilation doit être disponible pour se conformer aux besoins en air comburant de l'appareil de chauffage utilisé.
- Consultez la section du manuel de l'appareil de chauffage ayant trait aux caractéristiques, la plaque d'identification ou contactez DESA Industries pour obtenir des informations sur les besoins en air comburant et de ventilation de l'appareil de chauffage.

- Une mauvaise ventilation empêchera une bonne combustion.
 - Une mauvaise combustion peut provoquer un empoisonnement au monoxyde de carbone et par conséquent de graves blessures ou même la mort. Symptômes possibles à la suite d'un empoisonnement au monoxyde de carbone : maux de tête, vertiges et difficultés de respiration.
1. Ne laissez pas les enfants et les animaux s'approcher de l'appareil de chauffage.
 2. Ne dormez pas et ne le laissez pas l'appareil de chauffage sans surveillance lorsqu'il est en marche.
 3. Vérifiez que l'appareil de chauffage n'est pas endommagé. N'utilisez pas l'appareil de chauffage s'il est endommagé.
 4. Ne modifiez pas l'appareil de chauffage et ne l'utilisez pas s'il n'est pas dans son état d'origine.
 5. Utilisez seulement du gaz propane/GPL.
 6. Utilisez seulement une source d'approvisionnement en propane/GPL dotée d'un pare-vapeur. Pour plus de renseignement sur les pares-vapeur, contactez votre fournisseur de propane/GPL.
 7. Pour usage à l'extérieur seulement. La ventilation doit être appropriée. Laissez une ouverture d'au moins 9,3 cm² (1 pi²) près du sol et du plafond. N'utilisez pas l'appareil dans une maison, une caravane, une tente, un véhicule ou n'importe quel espace clos ou non ventilé.
 8. Utilisez l'appareil de chauffage dans des endroits sans risque de flamme, vapeurs combustibles et poussières.
 9. N'utilisez pas l'appareil de chauffage dans les sous-sols ou sous le niveau du sol.
 10. Avant de raccorder l'appareil de chauffage au réservoir de propane ou GPL, assurez-vous que le bouton de réglage de l'appareil de chauffage est à la position OFF. Raccordez et allumez toujours l'appareil de chauffage dans des endroits sans risque de flamme.
 11. Montez les réservoirs de propane/GPL à la verticale (vanne d'arrêt vers le haut). Fixez-les de manière à ce qu'elles ne puissent pas tomber et être endommagées.

INFORMATION RELATIVE À LA SÉCURITÉ

Suite

12. **IMPORTANT** : Utilisez uniquement l'ensemble tuyaux et détendeur fourni avec l'appareil de chauffage à deux brûleurs montable sur réservoir. Inspectez toujours les tuyaux avant de les utiliser. Si vous remarquez qu'un tuyau est usé ou entaillé, remplacez-le par un tuyau faisant partie de la liste des pièces avant d'utiliser l'appareil de chauffage. Le tuyau et le détendeur doivent être protégés contre les dommages.
13. Le brûleur de l'appareil de chauffage doit être placé à une distance d'au moins 0,61 m (2 pi) au dessus du sol. Assurez-vous que le réservoir de propane/GPL est toujours positionné à la verticale. N'utilisez jamais l'appareil de chauffage s'il est couché et ne positionnez jamais le réservoir de propane/GPL à l'horizontale. Cela pourrait provoquer des flammes ou même un incendie. Assurez-vous qu'aucune source de chaleur n'est orientée vers les réservoirs de propane/GPL.
14. Prévoyez une distance minimale des matériaux combustibles standard (comme le papier) de : Côtés : 0,91 m (3 pi) ; Haut et avant : 1,5 m (5 pi). Gardez à 3 m (10 pi) les bâches de protection en tissus ou en plastique ou d'autres revêtements similaires et fixez-les de manière à éviter tout mouvement ou battement pouvant résulter de coups de vent.
15. Si une odeur de gaz se dégage, **CESSEZ IMMÉDIATEMENT** d'utiliser l'appareil, identifiez la source de l'odeur et effectuez les réparations nécessaires avant de reprendre.
16. Installez l'appareil de chauffage de manière à ce qu'il soit à l'abri des éclaboussures, de la pluie et du vent.
17. Placez-le sur une surface stable et plane.
18. N'essayez pas d'allumer les brûleurs en même temps. Utilisez une allumette par chaque brûleur.
19. Ne superposez pas les brûleurs et assurez-vous qu'ils ne sont pas dirigés l'un vers l'autre.
20. Ne surélevez pas les têtes de brûleur et ne couvrez pas les trous d'entrée d'air du tuyau du mixeur avec les supports de têtes de brûleur.
21. Les écrous à oreilles et les têtes des brûleurs peuvent devenir brûlants pendant que l'appareil de chauffage fonctionne. N'essayez pas de déplacer les brûleurs quand l'appareil de chauffage fonctionne. Attendez qu'il refroidisse pendant 15 minutes.
22. Pour une utilisation avec des réservoirs de propane de 9 kg (20 lb) uniquement.
23. En raison de températures d'échappement et de surface élevées, restez à une certaine distance pour éviter de vous brûler ou que vos vêtements s'enflamment.
24. Ne déplacez, manipulez ou réparez jamais l'appareil lorsqu'il est brûlant ou allumé. Ne montez ou démontez jamais le réservoir de propane/GPL lorsque l'appareil de chauffage est brûlant ou en fonctionnement. Vous risqueriez de vous brûler gravement.
25. Vérifiez que l'appareil de chauffage ne fuit pas avant chaque utilisation. N'utilisez jamais de flamme nue pour rechercher une fuite. Appliquez une solution de savon et d'eau sur tous les joints. La présence de bulles indique une fuite. Réparez toutes les fuites.
26. Vérifiez que tous les raccords et fixations sont propres. Vérifiez que la vanne d'approvisionnement en propane/GPL est propre. Vérifiez que le joint torique du raccord de la vanne d'approvisionnement en combustible de l'appareil de chauffage n'est pas endommagé avant chaque utilisation. Remplacez-le s'il est usé ou endommagé.
27. Le réservoir de gaz de pétrole liquéfié doit être fabriqué et marqué conformément aux normes concernant les réservoirs de gaz de pétrole liquéfié du US Department of Transportation (DOT) et de Transport Canada.
28. Utilisez seulement en conformité avec les codes locaux ou, en l'absence de ceux-ci, conformément au *Code d'installation CAN1- B149*.
29. L'appareil de chauffage ne peut être entreposé que si le réservoir est détaché et démonté de l'appareil de chauffage.
30. Démontez toujours le réservoir de propane de l'appareil de chauffage après chaque utilisation. Entreposez toujours le réservoir de propane à l'extérieur, dans un endroit bien ventilé auquel les enfants ne peuvent pas accéder. N'entreposez jamais le réservoir de propane dans un bâtiment, un garage ou dans tout autre espace clos. N'entreposez jamais le réservoir de propane près d'une source de chaleur élevée, de flammes ou dans des endroits où la température dépasse 38 °C (100 °F).

INSTRUCTIONS D'ASSEMBLAGE

MODÈLES À 2 BRÛLEURS UNIQUEMENT

1. Inspectez les pièces de l'appareil de chauffage pour vérifier que rien n'a été endommagé pendant l'expédition. Si c'est le cas, contactez immédiatement le revendeur. Vérifiez que toutes les pièces ont été fournies (voir pages 10 et 11).
2. Insérez l'allumeur piézo-électrique dans le support du montant des brûleurs comme illustré à la figure 1. Serrez l'écrou de montage de l'allumeur piézo-électrique. Ne serrez pas trop l'écrou.
3. Raccordez les tuyaux des brûleurs comme illustré à la figure 2. Serrez bien avec une clef pour éviter que des fuites ne se produisent au niveau du raccord.
4. Montez l'assemblage des brûleurs sur le bras de support à l'aide des supports de montage des têtes de brûleurs et des vis en laiton comme illustré à la figure 3. Positionnez la partie latérale du support dans la fente à l'intérieur du bras de support. Fixez à l'aide d'une vis. Assurez-vous que les trous d'aération des deux côtés des tuyaux des brûleurs ne sont pas obstrués. Serrez bien les brûleurs en place.
5. Raccordez les fils de l'électrode à l'allumeur piézo-électrique comme illustré à la figure 4.

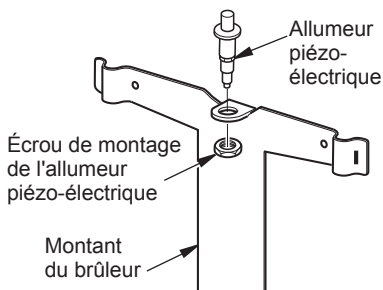


Figure 1 - Installation de l'allumeur piézo-électrique

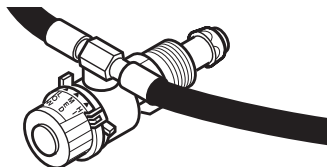


Figure 2 - Raccord des tuyaux des brûleurs au détendeur

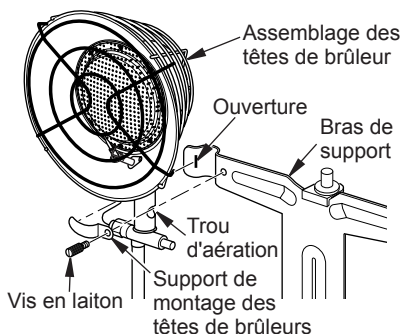


Figure 3 - Raccord de l'assemblage des têtes de brûleurs au bras de support

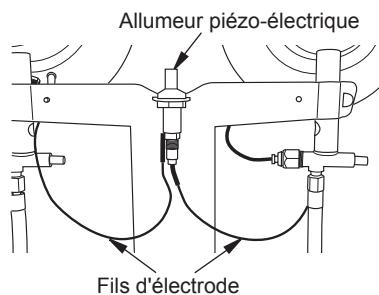


Figure 4 - Raccordement des fils de l'électrode à l'allumeur piézo-électrique

MODE D'EMPLOI

1. Vérifiez que l'appareil de chauffage n'est pas endommagé. Si l'appareil de chauffage est endommagé, informez promptement le revendeur où vous l'avez acheté.
2. Respectez toutes les mesures de sécurité.
3. Examinez le joint torique PP avant chaque utilisation. Remplacez le joint torique si vous constatez qu'il est usé ou endommagé.
4. Assurez-vous que le bouton de réglage de l'appareil de chauffage est à la position OFF.
5. **Modèles à 2 brûleurs seulement** Raccordez l'appareil de chauffage au cadre protecteur du réservoir de propane/GPL en plaçant le bras de support à l'intérieur du cadre et les boulons dans les trous du cadre (voir figure 5). Serrez bien le crochet du bras support pour le maintenir en place à l'aide des écrous à oreilles fournis.
6. **Pour tous les modèles** Raccordez la fixation PP du détendeur au réservoir de propane/GPL en faisant tourner l'écrou PP dans le sens inverse des aiguilles d'une montre à l'intérieur de la vanne d'approvisionnement du réservoir de propane/GPL et en serrant bien avec une clef.

⚠ AVERTISSEMENT : Montez l'appareil de chauffage à la verticale. Ne montez jamais l'appareil de chauffage à l'horizontale. Cela pourrait provoquer des flammes ou même un incendie.

7. Serrez bien tous les raccords d'approvisionnement en gaz.

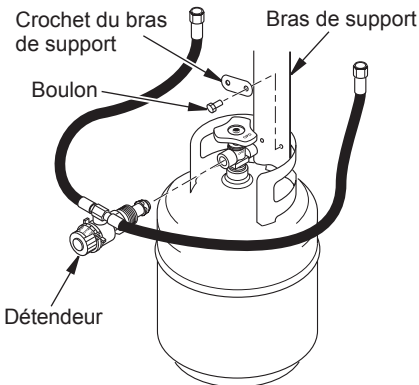


Figure 5 - Raccordement du bras de support et du détendeur au réservoir de propane/GPL

8. Ouvrez la vanne d'approvisionnement en gaz du réservoir et vérifiez qu'il n'y a pas de fuite au niveau des raccords. Appliquez une solution de savon et d'eau aux raccords. L'apparition de bulles indique la présence d'une fuite qui doit être réparée. **N'UTILISEZ PAS DE FLAMME.**

POUR ALLUMER L'APPAREIL DE CHAUFFAGE

⚠ AVERTISSEMENT : Lorsque vous allumez l'appareil de chauffage NE regardez PAS la partie supérieure (le réflecteur). Placez-vous sur le côté lors de l'allumage. Ne vous placez pas devant l'appareil de chauffage.

⚠ AVERTISSEMENT : ASSUREZ-VOUS QU'IL N'Y A AUCUN RISQUE DE FLAMME. Ouvrez complètement la vanne du réservoir de propane/GPL.

Lisez toutes les consignes concernant l'allumage avant d'allumer l'appareil de chauffage.

1. Tournez le bouton de réglage de l'appareil de chauffage dans le sens inverse des aiguilles d'une montre pour le mettre à la position HI.
2. Appuyez plusieurs fois sur l'allumeur piézo-électrique (à deux brûleurs) ou placez une allumette allumée devant l'élément chauffant (l'écran diffuseur) du brûleur que vous allumez, en vous servant du trou qui se trouve dans la partie latérale du réflecteur. Voir figure 6.

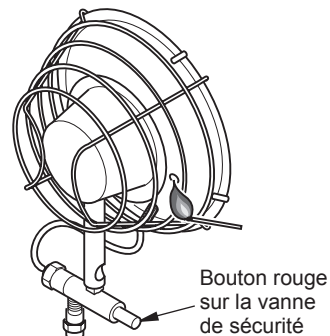


Figure 6 - Allumage de l'appareil de chauffage avec une allumette

MODE D'EMPLOI

Suite

⚠ ATTENTION ! N'allumez pas au niveau de l'orifice.

3. Relâchez le bouton de la vanne d'approvisionnement de sécurité du brûleur (voir figure 6, page 6).

⚠ AVERTISSEMENT : Ne relâchez pas le bouton rouge de la vanne avant d'avoir appuyé plusieurs fois sur l'allumeur piézo-électrique ou allumé une allumette.

4. Lorsque le gaz sur l'écran diffuseur s'allume, continuez d'appuyer sur le bouton de la vanne pendant 30 secondes puis relâchez-le.
5. Si la flamme s'éteint, attendez 5 minutes puis recommencez la procédure d'allumage.
6. Si l'appareil de chauffage ne s'allume toujours pas après plusieurs tentatives, n'essayez pas de le réparer. Faites réparer l'appareil de chauffage par un réparateur agréé ou par le fabricant.
7. Pour les modèles à deux brûleurs, répétez les étapes 1 à 4 pour allumer l'autre brûleur.
8. Une fois que le ou les brûleurs sont allumés, tournez le bouton de réglage de l'appareil de chauffage au niveau de chaleur désiré (LOW pour basse, MED pour moyenne et HI pour élevée).

POUR ARRÊTER L'APPAREIL DE CHAUFFAGE

1. Fermez complètement la vanne du réservoir de propane.
2. Mettez le bouton de réglage de l'appareil de chauffage à la position « OFF ». Attendez 15 minutes que l'appareil de chauffage refroidisse avant de le toucher.
3. Démontez toujours l'appareil de chauffage du réservoir de propane/GPL après chaque utilisation. N'entrez jamais l'appareil de chauffage s'il est monté sur le réservoir de propane/GPL. Démontez l'appareil de chauffage du réservoir de propane/GPL en tournant l'écrou de raccord dans le sens des aiguilles d'une montre. Entrez toujours le réservoir de propane/GPL à l'extérieur. N'entrez jamais le réservoir de propane/GPL dans un espace clos.

POUR RALLUMER L'APPAREIL DE CHAUFFAGE

1. Fermez complètement la vanne du réservoir de propane.
2. Attendez 5 minutes.
3. Rallumez l'appareil en suivant la procédure de la section *Pour allumer l'appareil de chauffage*, page 6.

ENTRETIEN ET ENTREPOSAGE

1. Inspectez l'appareil de chauffage avant chaque utilisation. Vérifiez qu'il n'y a pas de fuite aux raccords. Appliquez une solution de savon et d'eau sur les raccords. L'apparition de bulles indique la présence d'une fuite qui doit être réparée. Réparez toutes les fuites immédiatement. Demandez à un technicien qualifié d'inspecter l'appareil de chauffage au moins une fois par an.
2. Avant chaque utilisation, examinez le siège du joint torique du raccord PP. Si le joint torique est coupé, usé ou endommagé, remplacez-le par la pièce n° LPA2025.
3. Inspectez l'assemblage du tuyau et du détendeur avant chaque utilisation. Si le tuyau est très usé ou fendu, remplacez-le.
3. Coupez l'approvisionnement en gaz au niveau du réservoir de propane/GPL quand l'appareil de chauffage n'est pas utilisé.
4. Si vous devez entreposer l'appareil de chauffage, déconnectez le raccord entre le réservoir d'approvisionnement en propane/GLP et l'appareil de chauffage et démontez le réservoir de l'appareil de chauffage. Le réservoir doit être entreposé conformément au chapitre 5 du *Code d'installation CAN1-B149*.

RÉPARATIONS

L'utilisation d'un appareil de chauffage qui a été altéré ou qui fonctionne mal peut s'avérer dangereux. Si l'appareil de chauffage fonctionne comme il se doit :

- L'écran diffuseur s'allume d'une lumière brillante rouge orangé.
- Il n'y a aucune flamme au-dessus du brûleur.
- La flamme brûle à la surface de l'écran et non pas à l'intérieur du brûleur (retour de flamme).
- Il n'y a aucune odeur déplaisante, ni brûlure oculaire, ni autre malaise.
- Il n'y a ni fumée ni suie à l'intérieur ou à l'extérieur de l'appareil de chauffage.
- Il n'y a pas de fermeture non prévue ou inexploquée du radiateur.

La liste des pièces et la vue éclatée représentent l'appareil de chauffage tel qu'il a été fabriqué. N'utilisez pas un appareil différent de celui qui est illustré. De la même manière, utilisez seulement le tuyau, le détendeur et le raccord (raccord PP) fournis avec l'appareil de chauffage. **IMPORTANT** : Pour cet appareil de chauffage, le détendeur doit être réglé comme indiqué dans la section *Caractéristiques*, page 2. Si vous avez des doutes au sujet du réglage du détendeur, renseignez-vous.

SERVICE TECHNIQUE

Si l'appareil de chauffage fonctionne mal, faites-le réparer par un technicien compétent. Pour trouver un réparateur agréé ou si vous avez besoins d'autres renseignements au sujet de cet appareil de chauffage, contactez le service technique de DESA Heating Products au 1-866-672-6040. Lorsque vous appelez, ayez sous la main les numéros de modèle et de série de votre appareil de chauffage.

Vous pouvez aussi visiter le site Web du service technique de DESA Heating Products à l'adresse www.desatech.com.

Les réparations peuvent être sous garantie ou non, selon les circonstances.

PIÈCES DE RECHANGE



AVERTISSEMENT : N'utilisez que des pièces de rechange d'origine. Cet appareil de chauffage utilise des pièces conçues spécifiquement pour lui. N'utilisez pas de substituts ou de pièces génériques. L'utilisation de pièces de rechange inappropriées peut causer des blessures graves ou la mort. Cela protégera également la garantie des pièces remplacées sous garantie.

PIÈCES SOUS GARANTIE

Contactez un revendeur agréé de ce produit. S'il ne peut vous fournir des pièces de remplacement d'origine, appelez DESA Industries au 1-416-255-5333.

Lorsque vous appelez DESA Industries, ayez sous la main :

- votre nom ;
- votre adresse ;
- le numéro du modèle de l'appareil de chauffage ;
- une description de la panne de l'appareil de chauffage ;
- la date d'achat.

En général, nous vous demanderons de retourner la pièce à l'usine.

PIÈCES QUI NE SONT PAS SOUS GARANTIE

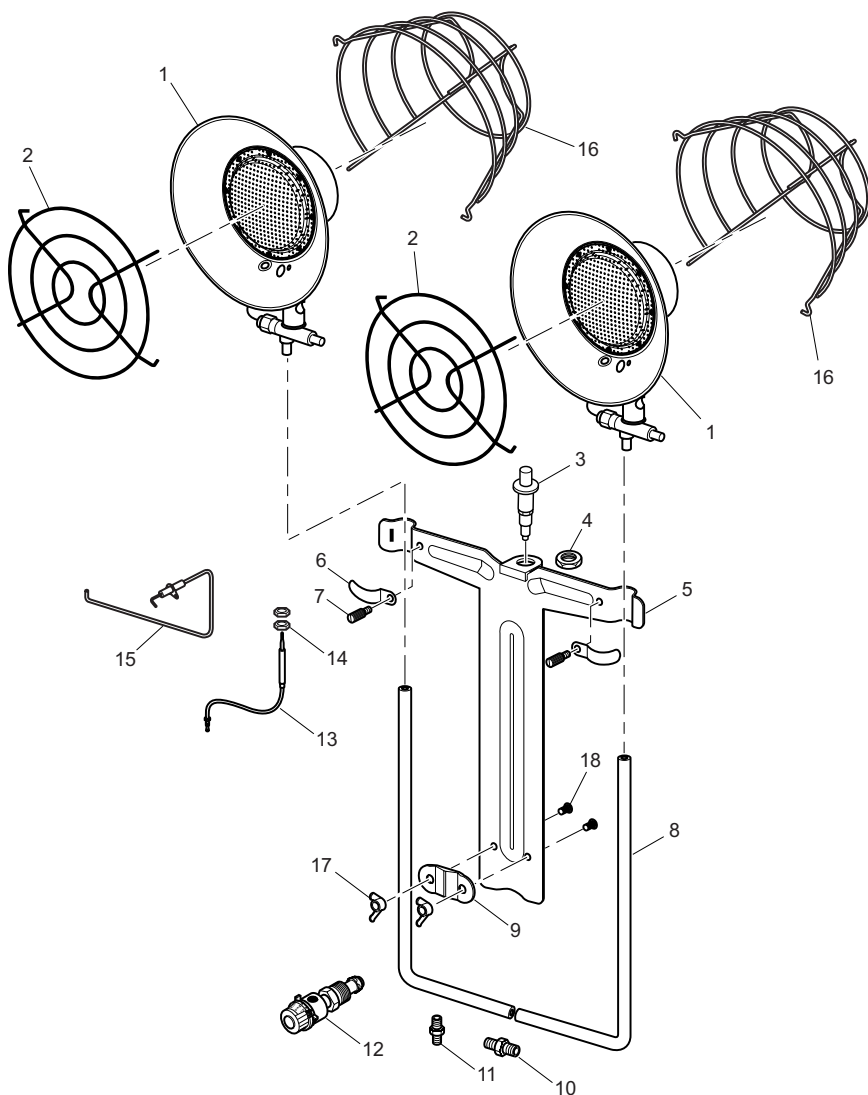
Contactez un revendeur agréé de ce produit. S'il ne peut pas vous fournir de pièces de remplacement d'origine, appelez le service des pièces de DESA Industries au 1-416-255-5333.

Lorsque vous appelez DESA Industries, ayez sous la main :

- le numéro du modèle de l'appareil de chauffage
- le numéro de la pièce de rechange

VUE DÉTAILLÉE DES PIÈCES

MODÈLES
TC110 ET TC111

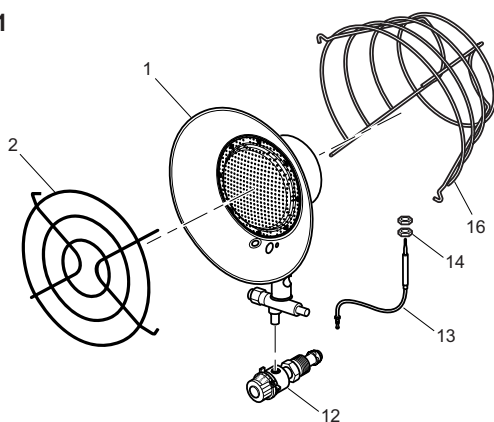


LISTE DES PIÈCES

Cette liste contient les pièces de rechange utilisées dans votre appareil de chauffage . Quand vous commandez des pièces, reportez-vous aux instructions de la section *Pièces de rechange*, à la page 9 de ce manuel.

MODÈLES

TC110 ET TC111



N°	N° DE PIÈCE	DESCRIPTION			QTÉ
			Brûleur unique	Double brûleur	
1	114092-01	Assemblage de têtes de brûleur	•	•	1-2
2	100911-01	Grille	•	•	1-2
3	097159-05	Allumeur piézo-électrique		•	1
4	102334-01	Écrou, allumage piézo-électrique		•	1
5	114095-01	Bras de support		•	1
6	114099-01	Support de montage de têtes de brûleurs		•	2
7	114145-01	Vis en laiton		•	2
8	114093-01	Assemblage de tuyaux		•	2
9	114096-01	Crochet du bras de support		•	1
10	114098-01	Fixation		•	1
11	114097-01	Fixation		•	1
12	LPA2025	Limiteur de débit/détendeur PP	•	•	1-2
13	114100-01	Thermocouple	•	•	1-2
14	100898-01	Écrou de thermocouple	•	•	2-4
15	114094-01	Plaque-électrode (ronde)		•	1
	114094-02	Plaque-électrode (plate)		•	1
16	116995-01	Carde protecteur arrière	•	•	1-2
17	115063-01	Écrou à oreilles	•	•	2
18	115062-01	Boulon à épaulement 5/16-18 x 1,25	•	•	2
PIÈCES DISPONIBLES — PAS ILLUSTRÉES					
	101834-03	Étiquette d'instructions à fil	•	•	1
	101834-04	Étiquette d'instructions à fil	•	•	1
	099720-01	Stabilisateur de réservoir	•	•	1
	LPA5050	Assemblage d'écran diffuseur de remplacement	•	•	1-2

INFORMATIONS SUR LA GARANTIE

CONSERVEZ CETTE GARANTIE

Modèle _____

Numéro de série _____

Date d'achat _____

Garantie limitée de l'appareil de chauffage infrarouge montable sur réservoir de propane

DESA Industries garantit ce produit et toutes les pièces qu'il contient contre tout défaut de matériau et de fabrication pour un (1) an à partir de la date d'achat originale lorsque utilisés et entretenus selon les instructions. Cette garantie ne protège que le premier acheteur au détail dans la mesure où une preuve d'achat est fournie.

Cette garantie ne couvre que le coût des pièces et de la main-d'œuvre requis pour restaurer le produit à son état de fonctionnement normal. Le transport et les frais incidents associés aux réparations sous garantie ne sont pas remboursables sous cette garantie.

Les réparations sous garantie ne sont disponibles que par l'intermédiaire de revendeurs et de réparateurs agréés.

Cette garantie ne couvre pas les défauts causés par la mauvaise utilisation, l'abus, la négligence, les accidents, le manque d'entretien adéquat, l'usure normale, les modifications, les altérations, le traficage, les combustibles contaminés, les réparations avec des pièces inadéquates ou les réparations par quelqu'un d'autre qu'un revendeur ou un centre de service autorisé. L'entretien de routine est la responsabilité du propriétaire.

Cette garantie expresse remplace toute autre garantie expresse ou tacite, y compris les garanties de qualité marchande et d'adéquation à un besoin particulier.

DESA Industries n'assume aucune responsabilité pour des dommages indirects, accessoires ou im-



82 Akron Road
Toronto, Ontario
M8W 1T2
415-255-5333

www.desatech.com



118127 01

NOT A UPC

118127-01
Rev. B
05/06